



# LNB series

## Dual Output DC/DC Converter



### DESCRIPTIONS

The dual output models of the LNB series are 10 watts low-profile dc-dc converters that operate over input voltage ranges of 4.5 - 7 VDC, 8 - 16 VDC and 18 - 36 VDC, and provide precisely regulated output voltages of  $\pm 5V$ ,  $\pm 12V$  and  $\pm 15V$ .

The  $-30^{\circ}C$  to  $+71^{\circ}C$  operating temperature range makes the LNB series ideal for data communication equipments, mobile battery driven equipment, distributed power systems, telecommunication equipment, mixed analog / digital subsystems, process/machine control equipment, computer peripheral systems and industrial robot systems.

### OUTPUT CHARACTERISTICS

	Min	Typ	Max	Unit/Comments
Output Voltage Set Point		$\pm 1$		% Output voltage at nominal line & FL
Line Regulation	-0.1		+0.1	Vo measured from min. input line to max.
Load Regulation	-0.1		+0.1	% Output voltage measured from FL to 10% load and loaded equally for both outputs
Temperature Coefficient			0.01	% per degree C
Ripple/Noise			10	mV p-p measured at 10 MHz bandwidth with external 5 $\mu$ f low ESR capacitor
Output Voltage and Current				Refer to model selection chart
Transient Response Deviation		2	4	% deviation of Vout voltage for step load 20-80% & 50-100% for 500 $\mu$ S
Short Circuit Protection				Indefinite, Automatic Recovery, Hickup.
Overvoltage Protection		125		% Hickup. See model selection chart
Turn-on Time			20	mS
Logic Turn-on			20	mS

### FEATURES

- 6 sided Continuous Shielding
- Up to 85% Efficiency
- Output Overvoltage Protection
- 1500 VDC Input/Output Isolation
- Industry Standard 1.0" X 2.0" X 0.4" Package
- Short Circuit Protection
- Synchronization

### INPUT CHARACTERISTICS

	Min	Typ	Max	Units/Comments
Input Voltage				
5 VDC Input Models	4.5		7	VDC
12 VDC Input Models	8		16	VDC
24 VDC Input Models	18		36	VDC
OverVoltage Shut Down				
5 VDC Input Models			9	VDC
12 VDC Input Models			19	VDC
24 VDC Input Models			39	VDC

### GENERAL CHARACTERISTICS

	Min	Typ	Max	Unit/Comments
Clock Frequency		800		kHz
Switching Frequency		400		kHz
Isolation Voltage	1500			VDC, 1 minute
Isolation Resistance	50			Mohm, 50VDC
MTBF (MIL-HBK-217F)	0.6			Million Hours, +25°C, Ground Benign
Isolation Capacitance		1000		pF, 100kHz, 1Volt
Remote On/Off				
On		2	5	VDC; Referenced to input return
Off		-0.6	0.5	
Synchronization			10	% above clock frequency



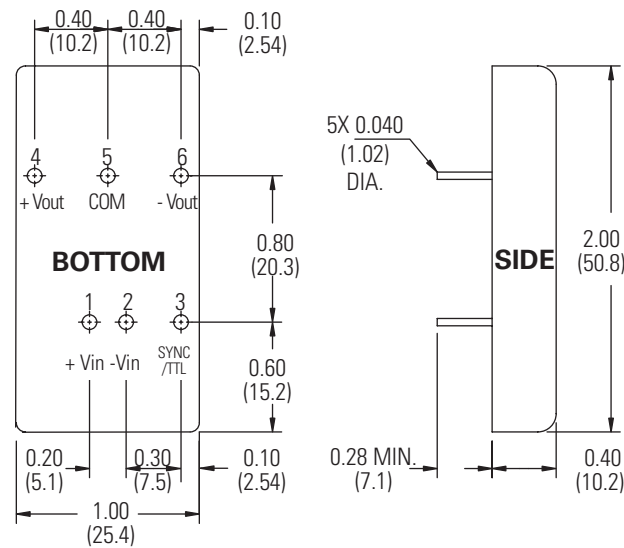
### ENVIRONMENTAL SPECIFICATIONS

	Min	Typ	Max	Unit/Comments
Operating Temp. Range	-30		+71	°C; Ambient
Storage Temp. Range	-40		+100	°C; Case
Relative Humidity	0		95	% Humidity; non-condensing
Cooling				Free-Air Convection

### PHYSICAL CHARACTERISTICS

	Unit/Comments
Case Size	1.0 X 2.0 X 0.4 inches (25.5 X 51.0 X 10.2 mm)
Case Material	Coated Metal with Non-Conductive Base
Shield Connection	Negative Input, Pin 2
Flammability	UL94V-0
Weight	40 Grams

### OUTLINE DRAWING



### PIN OUT CHART

Pins	Dual Output
1	+ Vin
2	- Vin
3	SYNC/TTL
4	+ Vout
5	COM
6	- Vout

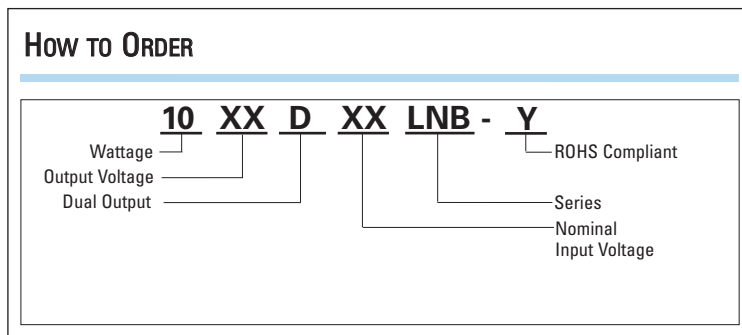
#### Notes:

- Unless otherwise specified dimensions are in inches (mm).  
Tolerances: X.XX = ±0.02 (±0.5)  
X.XXX = ±0.010 (±0.25)
- Pin DIA. Tolerance: X.XXX = ±0.002 (±0.05)

All specifications are typical at nominal input, nominal load and 25° C unless otherwise specified.  
External, low ESR, 10 microfarad (typical) capacitor across input is recommended for operation.



## How To ORDER



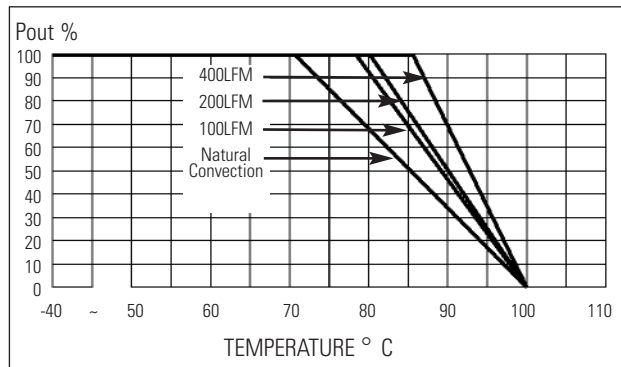
## MODEL SELECTION CHART

Model	Nominal Input Voltage (VDC)	Output Voltage (VDC)	Full Load Output Current (A)	No Load Input Current (mA)	Full Load Input Current (mA)	Input (AC) Ripple Current (mA)	Fuse (Slow Blow) (A)	OVP Typical (VDC)	Efficiency @ FL (%)
1005D5LNB	5	±5	±1.0	40	2400	30	3	6.2	83
1012D5LNB	5	±12	±0.42	40	2350	30	3	15	85
1015D5LNB	5	±15	±0.34	40	2380	30	3	18	84
1005D12LNB	12	±5	±1.0	30	1000	30	2	6.2	83
1012D12LNB	12	±12	±0.42	30	980	30	2	15	85
1015D12LNB	12	±15	±0.34	30	980	30	2	18	85
1005D24LNB	24	±5	±1.0	20	500	30	1	6.2	83
1012D24LNB	24	±12	±0.42	20	490	30	1	15	85
1015D24LNB	24	±15	±0.34	20	490	30	1	18	85



## DERATING CURVES

MODEL LNB series-Dual



## APPLICATION NOTES

### External clock synchronization:

All models in the LNB series can be synchronized to an external clock by driving the sync pin directly with an open collector -- open drain. The signal frequency must be 880kHz,  $\pm 5\%$  (duty cycle can be from 40% to 80%).

